

**ADAPTER FOR WATER MEASUREMENT
REF : 50.BTE110009.00****WARRANTY TERMS & AFTER-SALES**

Warranty subject: The company SCHEIBER warranties all its products' range against failures or masked-failures according to the article 1641 and followings of the Civil Code. Repairs and replacement of the equipment during the warranty period do not change terms or time of this warranty which is of 2 years. **Repairs and replacement of the faulty parts under warranty are made only on presentation of the invoice which certifies the warranty beginning date.**

Warranty does not apply: This warranty can not be applied in case of misuse, wrong installation, repair by anyone else than a SCHEIBER authorised technician, damage arising from improper use (fuses replaced by another value), utilisation in an unsuitable environment or if the equipment has suffered from physical damages through handling, transport... It does not cover calibration or verification due to the normal age of the components.

Warranty modalities: The equipment freight will be charged to the customer. If the returned equipment does not conform, our company considers it has the right to refuse the free repair and proposes an estimate.

Responsibility limits: In any case, the company SCHEIBER will not be held responsible for direct damages or damages not due to the normal use of the equipment.

In case of a dispute arising between the parties, the case shall be submitted to the French Right to the court specified by the company SCHEIBER.

Thank you for your purchase, we hope the product will meet your requirements

Before using this product, please read carefully the following instructions.

The manufacturer cannot be held liable and declines any responsibility for damages or injuries due to improper use or to failure to observe the warnings in this manual.

The SCHEIBER company reserves the right to alter the characteristics of the products in the interest of its customers.

KEEP THIS LEAFLET CAREFULLY

The leaflet describes how to use and install the product.

Do not use the product for anything other than the purpose for which it was designed.

After unwrapping the product, please make sure that it is complete and in good state, in case of doubt do not hesitate to contact us (a person qualified in our company).

Please do not let any part of the packaging within the reach of a children or a non-responsible person.

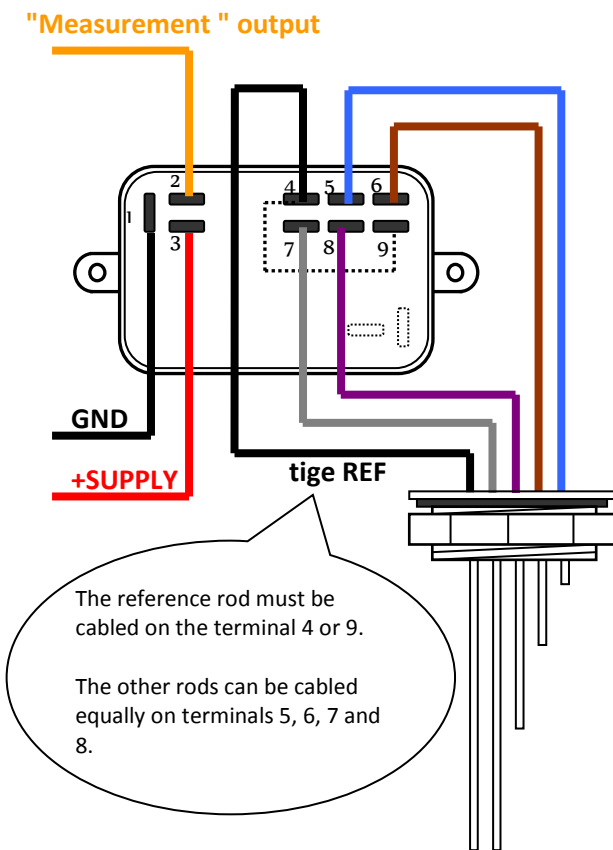
If the product falls or suffers a severe impact, please contact immediately a qualified person to ensure that the apparatus still operates correctly (the technical department).

WORKING / CABLING

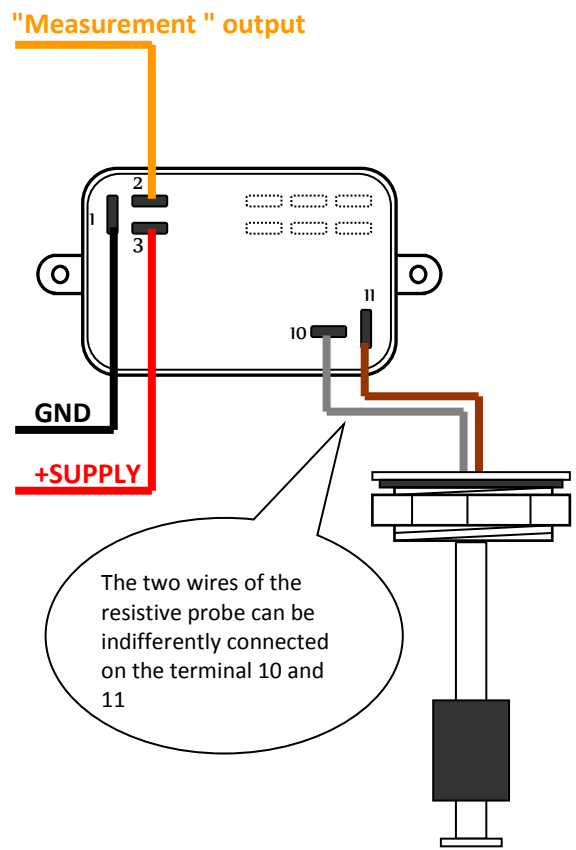
This unit is designed to obtain a continuous voltage proportional to a liquid level measured by a 5 rods probe, a probe by points or a resistive probe.

Installation example:

Use with a 5 rods probe SCHEIBER



Use with resistive probe SCHEIBER



Technical characteristics:

Supply voltage :	From 9Vdc to 15Vdc
Output voltage in function of the water level :	1,00V < 1,10V < 1,20V → empty tank 2,10V < 2,20V < 2,30V → level ¼ 3,20V < 3,30V < 3,40V → level ½ 4,35V < 4,45V < 4,55V → level ¾ 5,50V < 5,60V < 5,70V → full tank
Max energy consumption with a 5 rods probe :	10mA
Terminal « 1 »	Mass
Terminal « 2 »	Measurement output
Terminal « 3 »	+ 12V
Terminal « 4 - 9 »	Reference probe
Terminal « 5 »	Probe « full »
Terminal « 6 »	Probe « 3/4 »
Terminal « 7 »	Probe « 1/4 »
Terminal « 8 »	Probe « 1/2 »
Terminal « 10 - 11 »	Resistive probe
Resistive probe	0 - 190 Ω or 0 - 240 Ω
Size (L x l x h) / Weight :	95 x 50 x 30 (mm) / 0,095Kg
Inter-axial fixation :	81,5mm