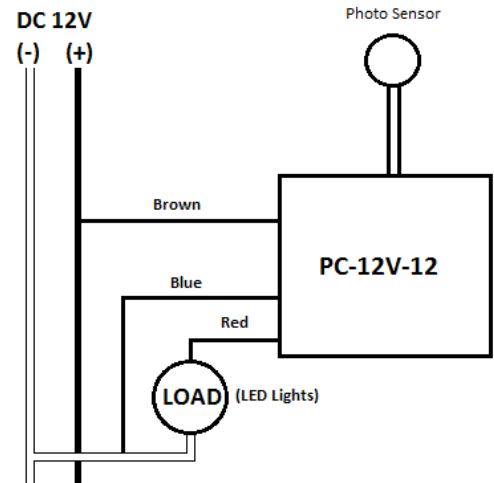


## INSTALLING THE MARINEBEAM MODEL PC-12V-12 PHOTOCONTROL SENSOR SWITCH

The PC-12V-12 has a sensor head which is waterproof and can be mounted remotely. The sensor head can be extended up to 15 feet if desired. The sensor switch can handle up to 10 amps max. This photocontrol is rated for 12VDC only. It may not be used in AC applications.

### Mounting:

- Find a protected area or waterproof enclosure for the switch box, and mount it securely. It is a good idea to mount the wires facing down and provide a drip loop in the wiring to be sure that leaking water cannot enter the switch box.
- Mount the remote sensor head through a panel, gang-box cover, or with a bracket. Use the provided gasket to make a waterproof seal. The sensor head can be extended by extending the wires (up to 15 feet).
- Connect the wiring as shown in the picture below. Double check to be sure you wired it exactly as shown in the drawing. If you wire it incorrectly, you will permanently damage the unit. If you don't understand the wiring schematic, consult a qualified electrician, or contact Marinebeam.
- All 12VDC devices should have a fuse rated for the device load



## INSTALLING THE MARINEBEAM MODEL PC-12V-12 PHOTOCONTROL SENSOR SWITCH

The PC-12V-12 has a sensor head which is waterproof and can be mounted remotely. The sensor head can be extended up to 15 feet if desired. The sensor switch can handle up to 10 amps max. This photocontrol is rated for 12VDC only. It may not be used in AC applications.

### Mounting:

- Find a protected area or waterproof enclosure for the switch box, and mount it securely. It is a good idea to mount the wires facing down and provide a drip loop in the wiring to be sure that leaking water cannot enter the switch box.
- Mount the remote sensor head through a panel, gang-box cover, or with a bracket. Use the provided gasket to make a waterproof seal. The sensor head can be extended by extending the wires (up to 15 feet).
- Connect the wiring as shown in the picture below. Double check to be sure you wired it exactly as shown in the drawing. If you wire it incorrectly, you will permanently damage the unit. If you don't understand the wiring schematic, consult a qualified electrician, or contact Marinebeam.
- All 12VDC devices should have a fuse rated for the device load

